

2014-2-28

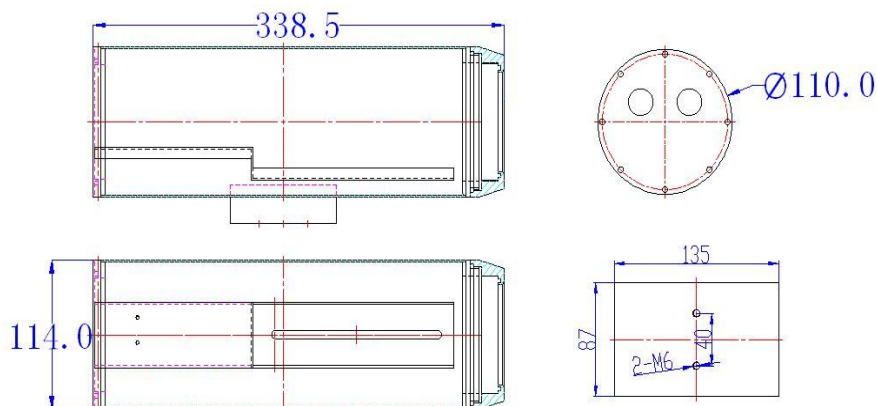
## ZAS702

### COMMERCIAL TYPE CORROSION PROOF STAINLESS STEEL CAMERA HOUSING

#### MAIN FEATURES

- stainless steel 201 or 304 or 316L
- ZAS702A housing sunshiled, ZAS702B is without sunshiled
- Cylindrical body enclosed by two circular flanges
- housing inner size to load camera:260\*80\*80mm
- Gaskets: high sealing o-ring
- Strong Tempered glass
- indoor or outdoor for all weather use
- Camera housing can within power convert module, fan, heater.
- fan needed, if the installation site temperature >40°C
- heater needed, if the installation site temperature <10°C
- ZAS702A/B can load bullet camera, zoom camera ect.


**ZAS702A**

**ZAS702B**


Model	ZAS702A	ZAS702B
Atmospheric pressure	60KPa~96Kpa	60KPa~96Kpa
Ambient Temperature	-25°C~+60°C	-25°C~+60°C
Relative Humidity	≤95% (+25°C)	≤95% (+25°C)
Sun shiled	Yes	No
window view	Φ76mm	
cable thread hole	2sets of G3/4	
Ingress Protection	IP65	IP65
Housing Material	Stainless Steel 201 or 304 or 316L	
Overall dimension	358*133*155mm	338*133*155mm
Internal usable area	260*80*80mm	260*80*80mm
Net weight	4.5kg	4kg

specifications subject to change without notice.© ZUO AN all rights reserved.

skype: cookee.lee

tel +86-15295033359